



DP2200 – analogue evaluation plug

eco 200 IO-Link products:

- Mini display to monitor values
- Clearly visible display with red/green colour change
- Compact design with protection rating IP 67
- Parameter setting via IO-Link
- Conversion of analogue measured values to an IO-Link communication

- The DP2200 provides decentralised preprocessing of analogue process values.
- The analogue signal (4...20mA) is looped through the plug.
- The value is displayed.
- A limit value can be defined.
- In case of exceeding or not reaching the limit values, the transistor output is set.
- If limit values are exceeded or not reached, the colour of the LED display changes from green to red.
- The measured value and the switching status can also be transmitted by means of the IO-Link communication. (conversion 4...20mA in IO-Link)

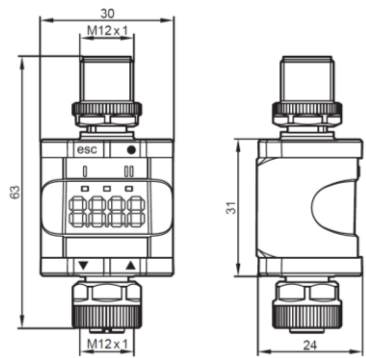


Analogue evaluation plug

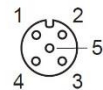
Operating voltage	Inputs	Outputs	Display	Switching status indication - LED	Operation - LED	Protection	Operating temperature	Connection	Price	Order no.
27 (24)VDC	1x analogue 4...20 mA	1 x digital / IO-Link, NO/NC programmable; 1x analogue 4...20 mA	7-segment LED display 4-digit red/green programmable	yellow	green	IP 67	-25...70 °C	M12 connector	€ 99.00	DP2200



Dimensions and wiring diagram

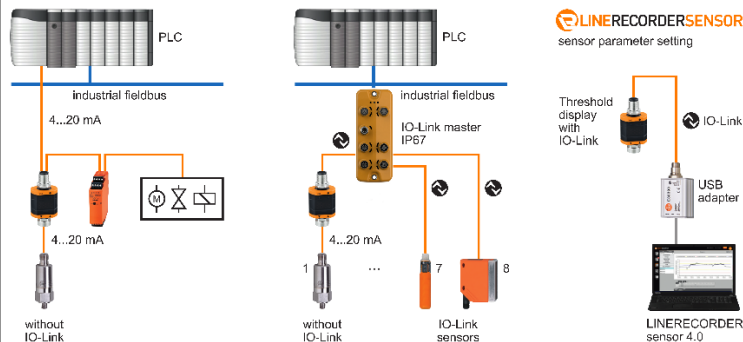


Pin	4-poliger M12 Stecker (1)
1	L+ / Versorgungsspannung
2	OUT2: Analogausgang
3	L- / Versorgungsspannung
4	OUT1: Digitalausgang (SIO) / IO-Link



Pin	5-polige M12 Buchse (2)
1	L+ / Sensorversorgung
2	Analogeingang (4...20 mA)
3	L- / Sensorversorgung
4	nicht verwendet
5	nicht verwendet

System overview



Accessories

Photo

Art. no.



E89208



QA0001



E30390